

Specimen Pass-Through Cabinet



- All stainless steel, 2 door pass-through-wall cabinet.
- Door interlock maintains patient privacy.
- Welded double wall stainless steel construction, ground and polished.
- Two sizes available. SPT-12 For walls up to 5 1/2" thick. SPT-12D For thicker walls up to 9 1/2" thick.

The Carr specimen pass through facilitates the collection of lab samples while maintaining patient privacy. It has two doors, one on each side.

A door interlock system prevents both doors from opening at the same time. The unit is made entirely of stainless steel and has a smooth double wall interior for easy cleaning. A stainless steel wall flange is included with each unit and an opposing wall flange is optional. Overall size is 12" high, 12" wide.

SPT-12	7" Deep specimen pass through for walls up to 5 1/2" thick.
SPT-12D	11" Deep specimen pass through for walls up to 9 1/2" thick.
WF-12	Opposing wall flange.

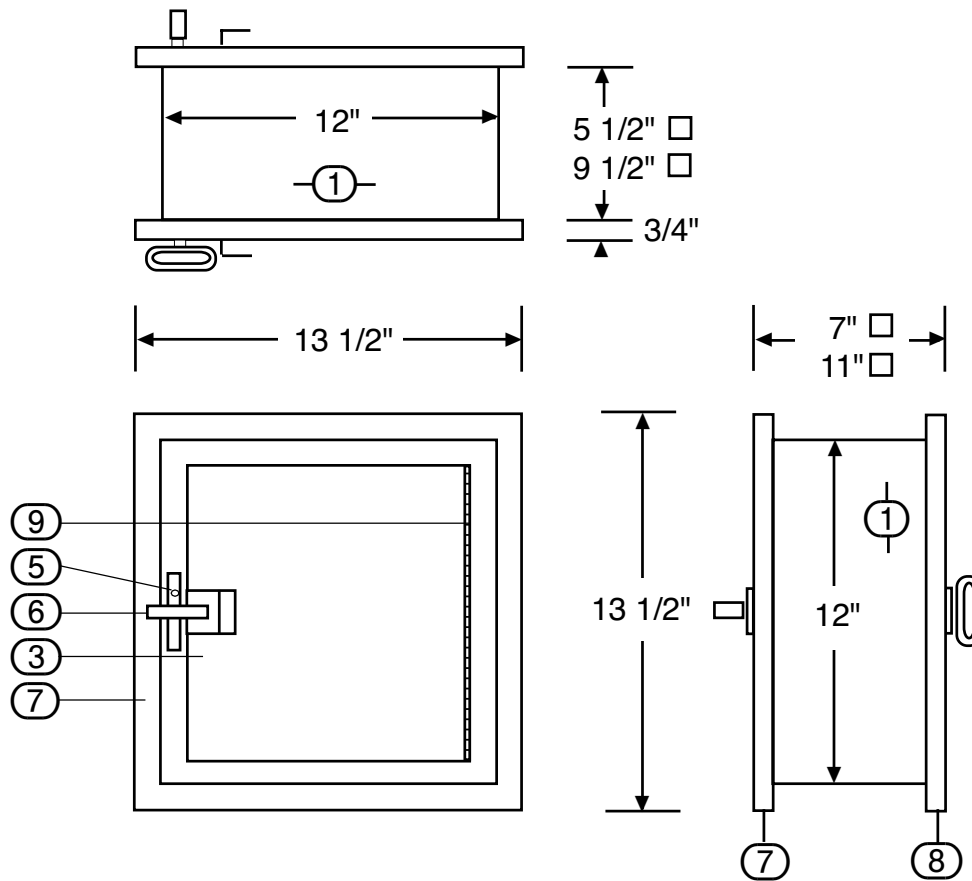


1547 11th Street, Santa Monica, CA 90401 USA
310.587.1113 800.952.2398 FAX 310.395.9751

SPECIMEN PASS THROUGH

MODEL SPT-12, 7" DEEP
 MODEL SPT-12D, 11" DEEP

DATE: 3/14/05 DRAWING NO.: 224
 DRAWN BY: *JJR*



- 1. STAINLESS STEEL.
- 2. DOUBLE WALL CONSTRUCTION THROUGHOUT.
- 3. DOOR, 1 EACH SIDE.
- 4. DOOR INTERLOCK, ALLOWS ONLY ONE DOOR TO BE OPENED AT ONCE, NOT SHOWN.
- 5. DOOR INTERLOCK PUSH BUTTON.
- 6. HANDLE, STAINLESS STEEL.
- 7. WALL FLANGE, FIXED POSITION.
- 8. WALL FLANGE, OPTIONAL, ADJUSTABLE FRONT TO BACK TO ACCOMODATE VARIOUS WALL THICKNESS.
- 9. PIANO HINGE.

NOTE: ONLY ITEMS WITH MARKED BOXES ARE INCLUDED.

SUGGESTED WALL OPENING:
 12 3/8" WIDE
 12 3/8" HIGH

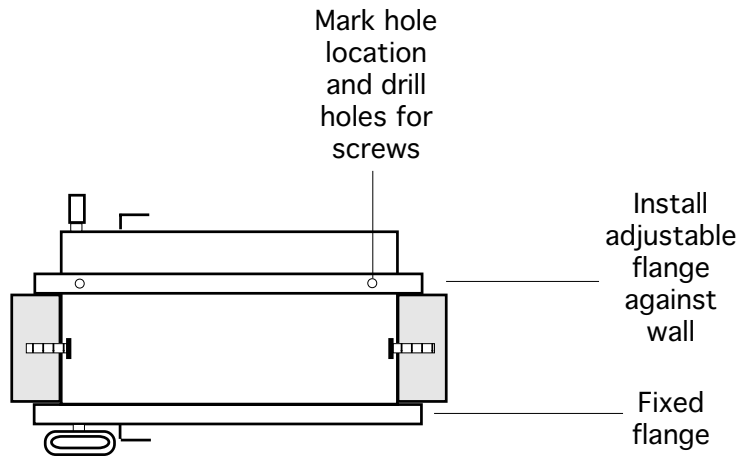
MAXIMUM WALL DEPTH:
 SPT-12: 5 1/2"
 SPT-12D: 9 1/2"

CARR

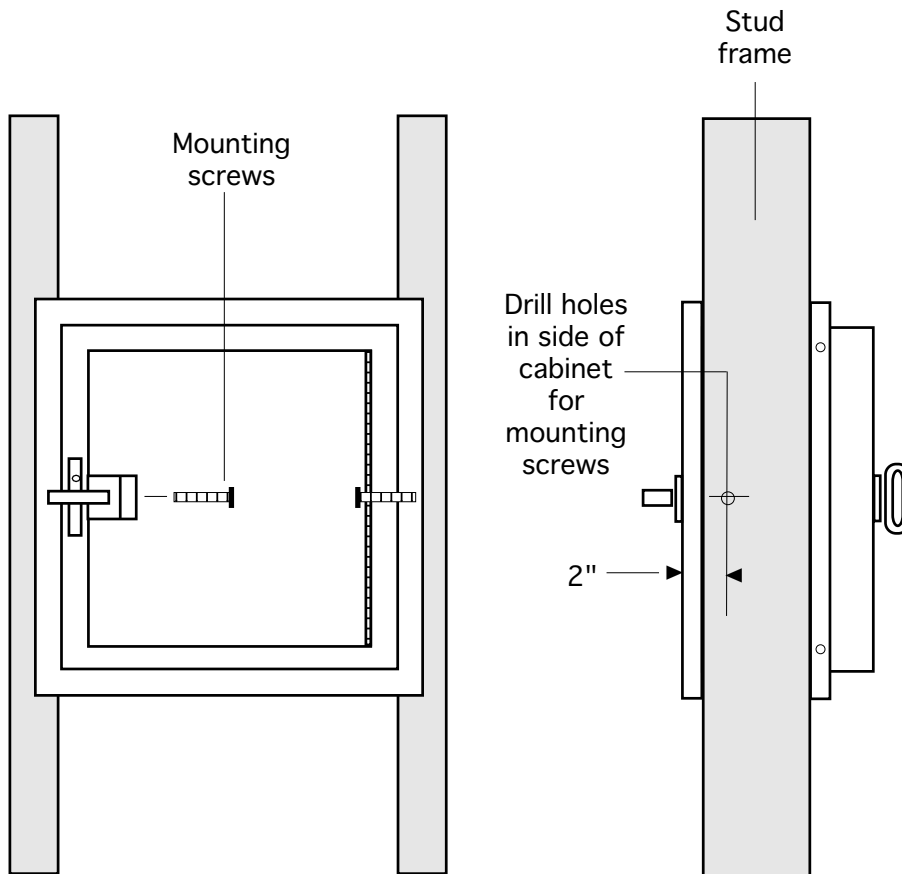
Carr Specimen Pass-through

Installation, Operation & Maintenance

Manual No. 360 Revised 3.17.06



Top view



Front view

Side view

Installation

1. Check local codes before beginning installation.
2. Cut wall opening 12 3/8" x 12 3/8". Frame opening, at least on sides.
3. Drill a mounting hole on each side of the cabinet 2" from the cabinet front. The hole should be big enough for a screw suitable for the stud material.
4. Insert cabinet into opening. Temporarily insert mounting screws into holes.
5. On the opposite side of wall, center adjustable flange pieces in place on cabinet against wall. Mark on cabinet location of flange holes.
6. Remove cabinet from wall and drill holes for flanges. Replace cabinet in wall. Re-install mounting screws and screw on flange.

Operation

The cabinet maintains patient privacy by locking one door when the opposite door is open. To open door, push button and turn handle. If button will not push, the opposite door is open, wait for it to be closed and try again.

Maintenance

The cabinet is maintenance free. To clean, use a mild detergent with water and a clean rag. A light coat of mineral oil will make the stainless steel shine.

CARR