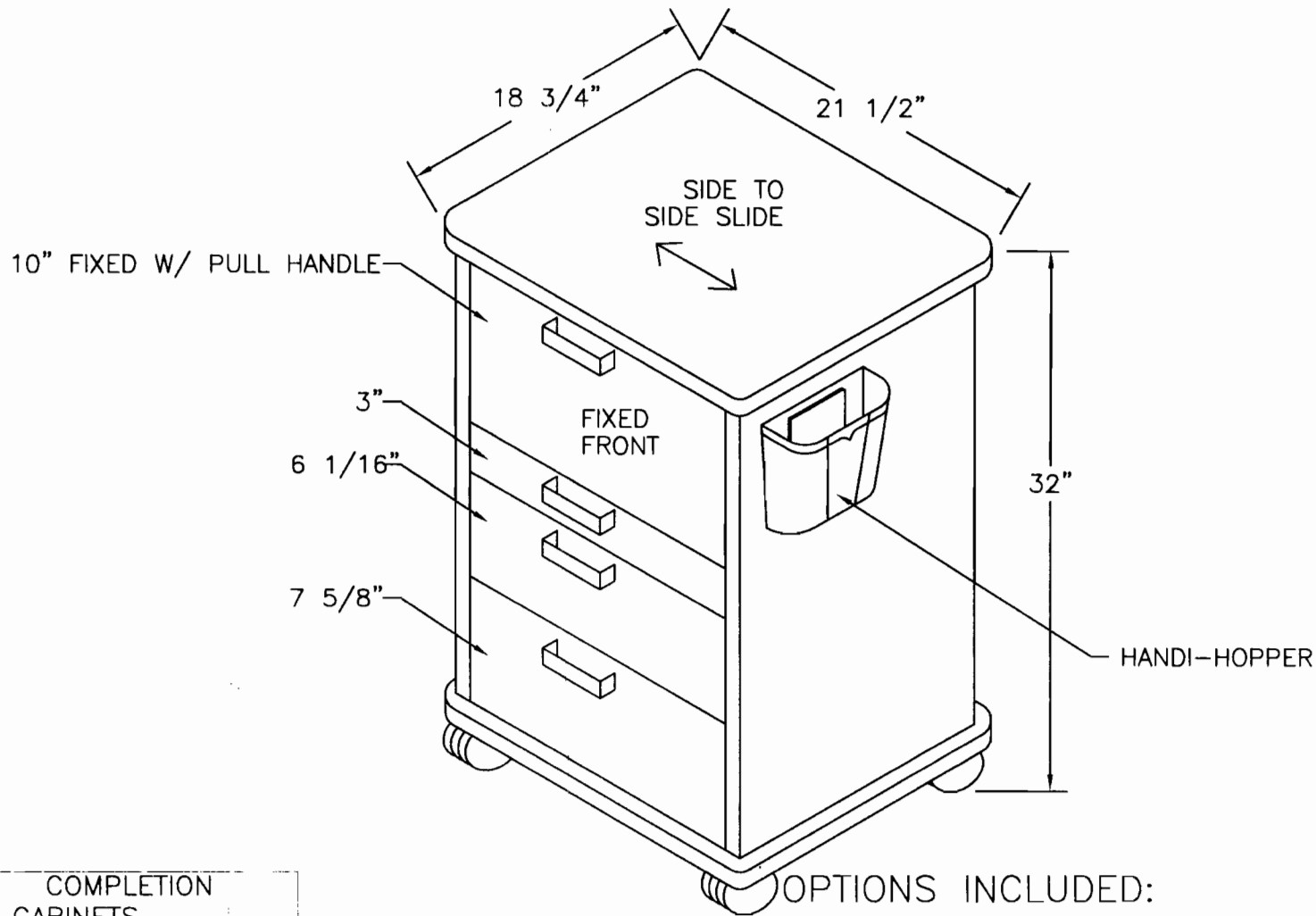


**M&CC**  
DENTAL CABINET SYSTEMS

PHONE: (905) 832-8311  
FAX: (905) 832-0732

MOBILE PROMOTION  
MFB 217 FF SP  
ASSISTANT'S (ALABAMA) MOBILE  
STANDARD LOOK

DEALER: PATTERSON
LOC: CONCORD, CA
DOCTOR: LSI/SAN QUENTIN
P.O.# 8280-3-438
W/O# 32967
START DATE: JUNE 01.09
ORDER DATE:
APROX.SHIP: JUNE 16.09
SET UPS: 16
TOP COLOUR: WHITE
CAB COLOUR: WHITE
ACCENT COLOUR:
HANDLES:
"T" MOLD:
SKETCH #: MFB217FFSP



13617

COMPLETION  
CABINETS  
DOORS  
DRAWERS  
BASE

OPTIONS INCLUDED:  
MB-21 HANDI-HOPPER FREE

\* PLEASE CHECK DIMENSIONS ON SKETCH FOR CORRECT INSTALLATION\*

NOTE: NO CHANGES CAN BE ACCEPTED AFTER ONE WEEK OF YOUR ORDER DATE !

DUPLICATION OF M&CC DESIGNS IS PROHIBITED.

I CONFIRM THIS ORDER TO BE CORRECT

13617