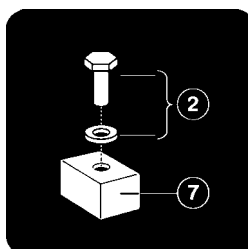


ARJO  
arjo

*Maximove*<sup>TM</sup>



*Parts List Supplement*  
*(Powered Patient Positioning Spreader Bar)*



5.KR.01/1.GB 9711

Item	Part Number	Qty	Description
1	KRX27140.04	1	Lift frame - White (if fitted)
	KRX27140.10	1	Lift frame - Lupin (if fitted)
	KRX27140.11	1	Lift frame - Lilac (if fitted)
	KRX27140.12	1	Lift frame - Green (if fitted)
	KRX27140.13	1	Lift frame - Peach (if fitted)
	KRX27140.14	1	Lift frame - Blue (if fitted)
2	KRX27150.04	1	Lift support - White (if fitted)
	KRX27150.10	1	Lift support - Lupin (if fitted)
	KRX27150.11	1	Lift support - Lilac (if fitted)
	KRX27150.12	1	Lift support - Green (if fitted)
	KRX27150.13	1	Lift support - Peach (if fitted)
	KRX27150.14	1	Lift support - Blue (if fitted)
3	KRX27690.0	1	Spacer shim
4	KRX27170.0	1	Motor bracket
5	Reference Only	1	Motor - SEE ELECTRIC SECTION
6	KRX27190.0	1	Cover
7	KRX27110.0	1	Bearing
8	KRX27210.0	1	Bush
9	DX08770.0	1	Screw csk. skt. hd. M8 x 20mm long
10	DX29220.0	1	Cap screw skt. hd. M8 x 25mm long
11	KRX27530.0	1	Special washer
12	AX15240.0	1	Screw csk. skt. hd. M6 x 12mm long
13	DX08740.0	3	Cap screw skt. hd. M6 x 16mm long
14	KRX27630.0	2	Bearing flange
15	KRX27200.0	1	Gear box
16	MX01460.0	1	Cap
17	DX27490.0	1	Nyloc nut M10
18	DX08830.0	5	Washer M10
19	KRX27050.0	1	Handle - outer
20	KRX27090.0	1	Pin - handle
21	KTX05220.0	1	Handle
22	MX02350.0	2	End plug
23	MX01080.0	1	Disc
24	KMX00360.0	1	Flanged bush
25	KMX00370.0	1	Bush
26	KMX00680.0	1	Lock nut
27	KMX00390.0	1	Spring pin
28	KRX21100.0	1	'O'Ring
29	KMX00310.0	1	Friction disc
30	KRX21110.0	3	Bearing spring

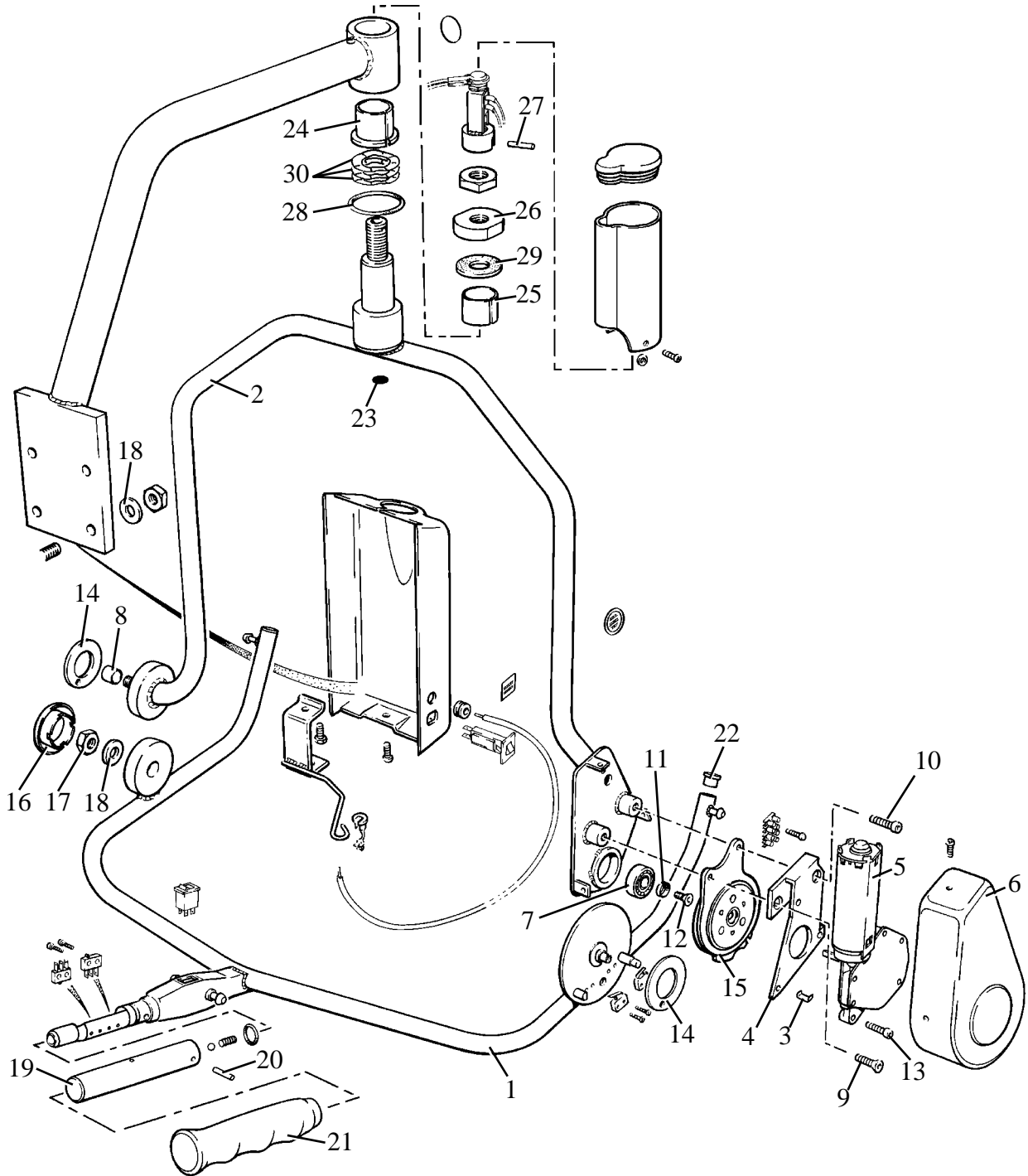
Continued...

*Note: In part numbers listed above \*\* represents the country code.*

*Note: Some of the components listed are not available individually as spares, but are supplied in the form of sub-assemblies. Always quote Serial number of hoist, and specify Quantity, Part Number and Description when ordering spares.*

# A

## Powered Spreader Bar



Continued...

## A

*Powered Spreader Bar (Continued)*

Item	Part Number	Qty	Description
31	KRX27030.0	1	Top rotor contact housing
32	LBX02460.0	1	Label - sling size
33	KRX27120.0	1	Top cover
34	KRX27020.04	1	Lift arm - White
35	KRX27130.0	1	Cover - lift arm
36	DX09680.0	1	Screw hex hd. M6 x 10mm long
37	KRX27590.0	1	Bottom bracket - "curly" cable
38	EX41520.0	3	Washer
39	KRX01570.0	2	Label - SWL 190KG
40	KRX27510.0	1	Grommet
41	KRX27060.0	1	Spring
42	KRX27070.0	1	Ball
43	KX54240.0	1	Lock nut M10
44	KRX27570.0	1	Top cover cap
45	KRX27430.0	7	Screw pan hd. pozi M5 x 8mm long
46	KRX27580.0	1	'O' ring
47	KRX10160.0	1	Strain relief bush
48	KRX27100.0	8	Screw
49	Reference Only	2	Microswitch - SEE ELECTRIC SECTION
50	AX01201.0	4	Nyloc nut M10
51	AX15360.0	2	Screw
52	KRX91000.**	1	Label - Circuit breaker
53	Reference Only	1	Fuse - auto reset - SEE ELECTRIC SECTION
54	Reference Only	1	Rocker switch - SEE ELECTRIC SECTION
55	Reference Only	2	Microswitch - SEE ELECTRIC SECTION
56	Reference Only	1	Terminal block - SEE ELECTRIC SECTION

*Note: In part numbers listed above \*\* represents the country code.*

*Note: Some of the components listed are not available individually as spares, but are supplied in the form of sub-assemblies. Always quote Serial number of hoist, and specify Quantity, Part Number and Description when ordering spares.*



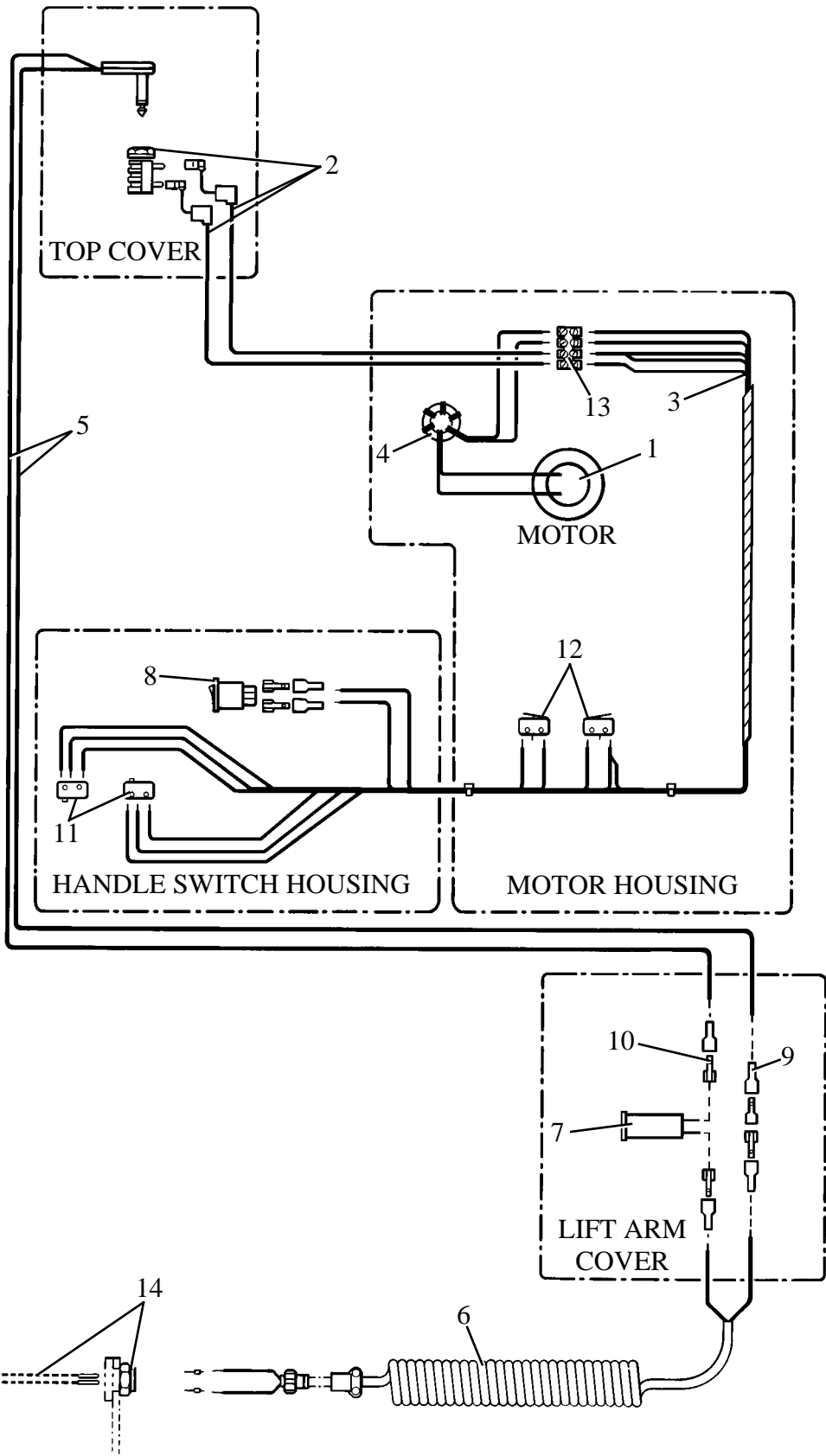
Item	Part Number	Qty	Description
1	KRX27330.0	1	Motor
2	KRX27790.0	1	Loom - Contact housing
3	KRX27800.0	1	Loom - Main
4	KRX27360.0	1	Ferrite ring
5	KRX27780.0	1	Loom - Plug
6	KRX27480.0	1	Loom - "Curly" cable
7	KRX27080.0	1	Fuse - auto reset
8	KRX27520.0	1	Rocker switch
9	KRX27490.0	A/R	Connector - male
10	JX05410.0	A/R	Connector - female
11	KRX27750.0	2	Microswitch - handle switch housing
12	KRX27320.0	2	Microswitch - motor housing
13	KRX27600.0	1	Terminal block
14	KRX27770.0	1	Loom - Top connection (includes socket)

*Note: In part numbers listed above \*\* represents the country code.*

*Note: Some of the components listed are not available individually as spares, but are supplied in the form of sub-assemblies. Always quote Serial number of hoist, and specify Quantity, Part Number and Description when ordering spares.*

**B**

# Electrics



*We strongly advise and warn that only Company Designated Parts, which are designed for the purpose, should be used on equipment and other appliances supplied by the Company, to avoid injuries attributable to the use of inadequate parts. The Company's Conditions of sale make specific provision confirming no liability in such circumstances. Our policy is one of continuous development, and we therefore reserve the right to change specifications without notice.*

**AUSTRALIA**  
Arjo Hospital Equipment Pty. Ltd.,  
P.O. Box 278  
Botany,  
N.S.W. 2019  
Tel. 2-316 4911  
Fax. 2-666 3614

**BELGIQUE / BELGIË**  
Arjo Hospital Equipment nv/sa  
Nijverheidsweg 10A  
BE-9820 MERELBEKE  
Tel. 09/231.69.89  
Fax. 09/231.34.76

**CANADA**  
Arjo Canada Inc.  
53-6535 Millcreek Drive  
Mississauga,  
ONTARIO  
L5N 2M2  
Tel. 01-800-665-4831  
Fax. 01-800-309-1116

**ČESKÁ REPUBLIKA**  
Arjo Hospital Equipment s.r.o.  
Strmá 35  
CZ-616 00 BRNO  
Tel. 05 754 252  
Fax. 05 412 13550

**DANMARK**  
Arjo A/S  
Firskovvej 25 B  
DK-2800 Lyngby  
Tel. 45 93 27 37  
Fax. 45 93 41 20

**DEUTSCHLAND**  
Arjo Systeme für Rehabilitation GmbH  
Rudolf-Diesel-Strasse 5  
DE-65719 HOFHEIM-WALLAU  
Tel. 06122 8040  
Fax. 06122 804160

**ESPAÑA**  
Arjo Spain, S.A.  
Ctra. de Gracia a Manresa, Km. 14,75  
Apartado de Correos, 203  
08190 - Sant Cugat del Vallés  
BARCELONA  
Tel. (93) 589 31 81  
Fax. (93) 589 08 71

**FRANCE**  
Arjo Equipements Hospitaliers S.A.  
Central Parc,  
4, allée du Sanglier  
F-93421 Villepinte Cedex  
Tel. 01 49 63 47 00  
Fax. 01 48 61 41 42

**GREAT BRITAIN**  
Arjo Ltd.,  
St. Catherine Street  
Gloucester, GL1 2SL  
ENGLAND U.K.  
Tel. (01452) 500200  
Fax. (01452) 525207

**HONG KONG**  
Arjo Hospital Equipment (China) Ltd.  
2703 APEC Plaza,  
49 Hoi Yuen Road,  
Kwun Tong, Kowloon,  
HONG KONG  
Tel. (852)-2508 9553  
Fax. (852)-2508 1416

**ITALIA**  
Arjo-Italia S.p.A.  
Via Della Marcigliana, 532  
IT-00139 ROMA  
Tel. 06-87 120 845  
Fax. 06-87 120 640

**JAPAN**  
Arjo Japan  
Sweden Center Bldg. 3F  
6-11-9, Roppongi, Minato-ku  
Tokyo 106  
JAPAN  
Tel. 03-5411-6215  
Fax. 03-5411-6213

**NORGE**  
Getinge-Arjo AS  
Ole Deviks vei 4  
0666 OSLO  
Tel. 23 05 11 80  
Fax. 23 05 11 99

**NEDERLAND**  
Arjo Nederland B.V.  
Laan van Westroyen 6  
Postbus 6116  
NL 4003 AZ TIEL  
Tel. 0344 620111  
Fax. 0344 616548

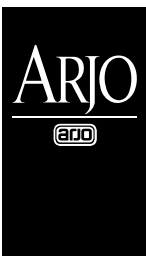
**ÖSTERREICH**  
Arjo-Sic GmbH  
Mitterweg 60  
Postfach 8  
A-6026 INNSBRUCK  
Tel. 0512 - 281 613  
Fax. 0512 - 281 613 75

**POLSKA**  
Arjo Poland Ltd.,  
Ul Walecznych 44,  
03-016 WARSZAWA  
Tel. 22 6177 689  
Fax. 22 6177 689

**SCHWEIZ / SVIZZERA**  
Arjo-Sic AG  
Wartenbergstrasse 15  
Postfach CH-4020  
BASEL  
Tel. 061-311 97 84  
Fax. 061-311 97 42

**SVERIGE**  
Arjo Sverige AB  
Box 61  
SE-241 21 ESLÖV  
Tel. 0413-645 00  
Fax. 0413-645 83

**USA**  
Arjo Inc.  
8130 Lehigh Avenue  
Morton Grove,  
ILLINOIS,  
60053  
Tel. 847-967-0360  
Tel. 800-323-1245  
Fax. 847-967-1241



If your country is not listed here, please contact your local distributor, or Arjo Ltd in Great Britain



FM 21964  
ISO 9001 • BS 5750 Part 1 • EN 29001  
Arjo Limited • GLOUCESTER • U.K.